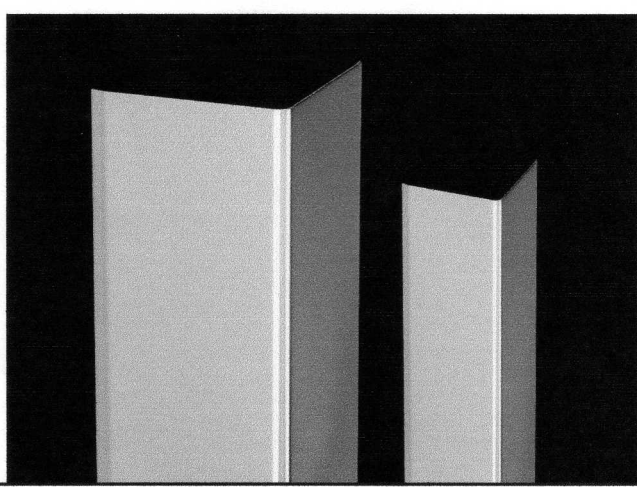
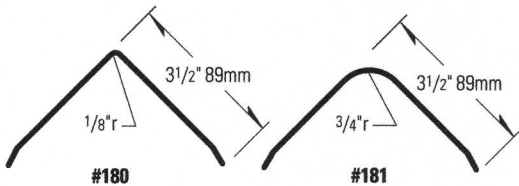


# Stainless Steel Corner Guards



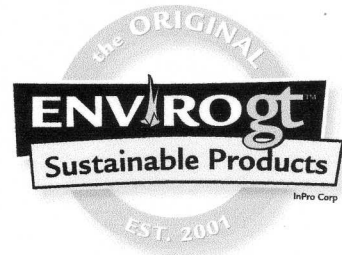
Product  
Guide ①

## Model 180 & 181



## Stainless Steel

- ① Provides 3 1/2" (89mm) wing, custom angles also available
- ① Manufactured in 4' (1.22m) standard heights, custom heights available
- ① Standard Type 430 available in standard 16 gauge, also available in 14 and 18 gauge
- ① Optional Type 304 (Meets NSF Standard 51) available in 16 or 14 gauge
- ① Available in No. 4 Satin Finish



IPC.438/REV.4

P.O. Box 406 · Muskego, Wisconsin 53150 USA

[www.inprocorp.com](http://www.inprocorp.com)

Nationwide **800.222.5556**/Fax 888.715.8407

International Sales **262.679.5521** / Fax 262.679.5524

# Stainless Steel Corner Guards

## Suggested Specifications

### PART 1 - GENERAL

#### 1.01 SUMMARY

A. Corner guard system for wall protection:

#### 1.02 SECTION INCLUDES

A. Stainless Steel Corner Guard Systems

#### 1.03 SUBMITTALS

- A. Product data for each type of corner guard specified.  
B. Detail drawings indicating mounting details with the appropriate fasteners for specific project substrates.  
C. Samples for verification purposes of corner guard, 6" (152mm) long, in full size profiles of each type and color indicated.  
D. Cleaning and maintenance instructions for door and wall protection systems.

#### 1.04 DELIVERY, STORAGE AND HANDLING

A. Deliver materials in unopened factory packaging to the jobsite and store in original packaging in a climate controlled location away from direct sunlight.

#### 1.05 PROJECT CONDITIONS

A. Products must be installed in an interior climate controlled environment.

#### 1.06 WARRANTY

A. Standard IPC Limited Lifetime Warranty against material and manufacturing defects.

### PART 2 - PRODUCTS

#### 2.01 MANUFACTURER

A. Acceptable Manufacturer: IPC Door and Wall Protection Systems, InPro Corporation, PO Box 406 Muskego, WI 53150 USA; Telephone: 800-222-5556, Fax: 888-715-8407, Internet address: <http://www.inprocorp.com>

B. Substitutions: Not permitted

C. Provide all corner guards and wall protection from a single source.

#### 2.02 MANUFACTURED UNITS

A. Corner Guards

1. Stainless Steel Corner Guards

Model	Size
180CMT	3-1/2" (89mm) x 3-1/2" (89mm) 1/8" radius, Cement-on
181CMT	3-1/2" (89mm) x 3-1/2" (89mm) 3/4" radius, Cement-on
180HOLE	3-1/2" (89mm) x 3-1/2" (89mm) 1/8" radius, Screw-on
181HOLE	3-1/2" (89mm) x 3-1/2" (89mm) 3/4" radius, Screw-on

Type and Gauge - Type 430 16 gauge Stainless

4' (1.22m) standard heights

Custom heights available

### 2.03 MATERIALS

A. Stainless Steel: Corner Guards shall be manufactured from Type 430, 16 gauge Stainless Steel, options: Type 430, 14 and 18 gauge; Type 304 (meets NSF Standard 51), 16 and 14 gauge

### 2.04 COMPONENTS

A. Attachment

1. Adhesive: Field applied heavy duty adhesive
2. Fasteners: Pre-drilled beveled holes and phillips head screws.

### 2.05 FINISHES

A. Stainless steel: No. 4 satin finish.

### PART 3 - EXECUTION

#### 3.01 EXAMINATION

A. Examine areas and conditions in which the corner guard systems will be installed.

1. Complete all finishing operations, including painting, before beginning installation of corner guards.
- B. Wall surface shall be dry and free from dirt, grease and loose paint.

#### 3.02 PREPARATION

A. General: Prior to installation, clean substrate to remove dust, debris and loose particles.

#### 3.03 INSTALLATION

A. General: Locate the corner guard as indicated on the approved detail drawing for the appropriate substrate and in compliance with the IPC installation instructions. Install corner guard level and plumb at the height indicated on the drawings.

B. Installation of Stainless Steel Corner Guards:

1. Surface must be dry, clean and properly sealed.
2. Cement on: Apply a bead of PL Premium Heavy Duty Adhesive in a zigzag pattern over the back of each wing of the corner guard. Position corner guard on the wall and apply pressure until a tight fit is achieved.
3. Screw on: Position the corner guard on the wall and attach it using the supplied screws.
4. Remove the protective plastic covering from the exposed surface of the corner guard.

#### 3.04 CLEANING

A. At completion of the installation, clean surfaces in accordance with the IPC clean up and maintenance instructions.

P.O. Box 406 · Muskego, Wisconsin 53150 USA

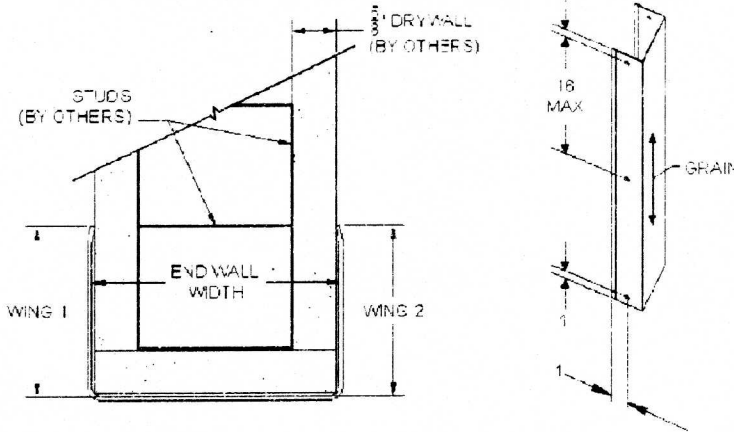
[www.inprocorp.com](http://www.inprocorp.com)

Nationwide 800.222.5556/Fax 888.715.8407

International Sales 262.679.5521 / Fax 262.679.5524

Please complete the following information based on field verified dimensions. Use one order form per size. Orders for custom products cannot be cancelled or returned. This **SIGNED** form must be faxed **with your order!** Fax to \_\_\_\_\_ at 888-715-8407 for quotation. Sales contact: 800-222-5556.

Authorized Signature/Date		Title	
Print Name		Project Name	
Company Name		Account #	



End Wall Width (Inches) \_\_\_\_\_ (3" Min.)      Wing 1 ID (Inches) \_\_\_\_\_ (1" Min.)

Height (Inches) \_\_\_\_\_ (120" Max.)      Wing 2 ID (Inches) \_\_\_\_\_ (1" Min.)

Alloy Type:  430 (Standard) or  304 (Food Grade, Showers, or Washed Down areas.)

Gauge:  14 = .074" or  16 = .060" (Standard) or  18 = .047"

Mounting Option:  Cement-On or  Screw-On

Quantity: \_\_\_\_\_

- Verify capability using the Forming Capability Chart.
- 1/8" Corner radius (O.D.). 90 degree only.
- Cement-On: 10 degree tapered edges.
- Screw-On: #6 100° countersunk holes 1/2" from edge on 1 1/2" wing size & 1" from edge on all others sizes.
- Dimensional tolerance = + 1/16" - 0. Angle tolerance = +/- 2 degrees.
- Finish = #4 Satin.
- Mounting hardware (HW72, #6 x 1-1/4" Phillips flat head self tapping screws) or adhesive included.
- For non-standard requirements, provide drawing for pre-approval.

<b>FOR INPRO USE ONLY</b>	Sales Rep:	Customer Order #:
Form _____ of _____	InPro Drawing: N/A	InPro PO #:

# Installation Instructions

## Stainless Steel Corner Guards

FIG. 1a

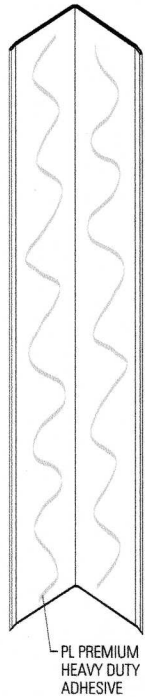
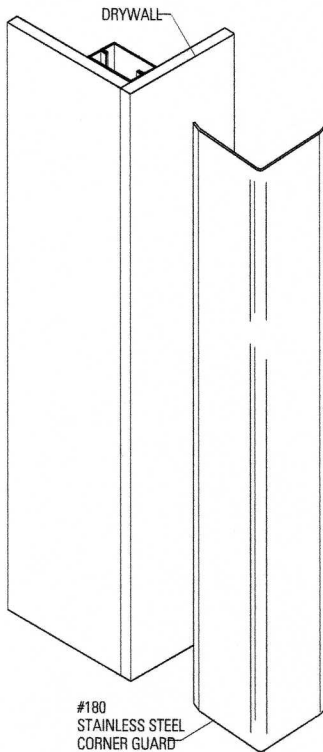


FIG. 1b



**Please read all instructions before installing corner guards. Material must be stored, installed and used in environmentally controlled conditions.**

1. The wall surface that the corner guards are to be applied must be dry and free of dirt, dust, oil, loose paint, wax and grease.
2. **CEMENT-ON INSTALLATION**  
Apply a bead of PL Premium Heavy Duty Adhesive in a zig-zag pattern over the back of each wing of the corner guard. See Figure 1a. Position corner guard on the wall and apply pressure until a tight fit is achieved. Remove the protective plastic coating from the exposed surface of the corner guard.  
See Figure 1b.
3. **SCREW-ON INSTALLATION**  
Attach corner guard to wall with provided hardware. Remove the protective plastic coating from the exposed surface of the corner guard.  
See Figure 2.

FIG. 2

